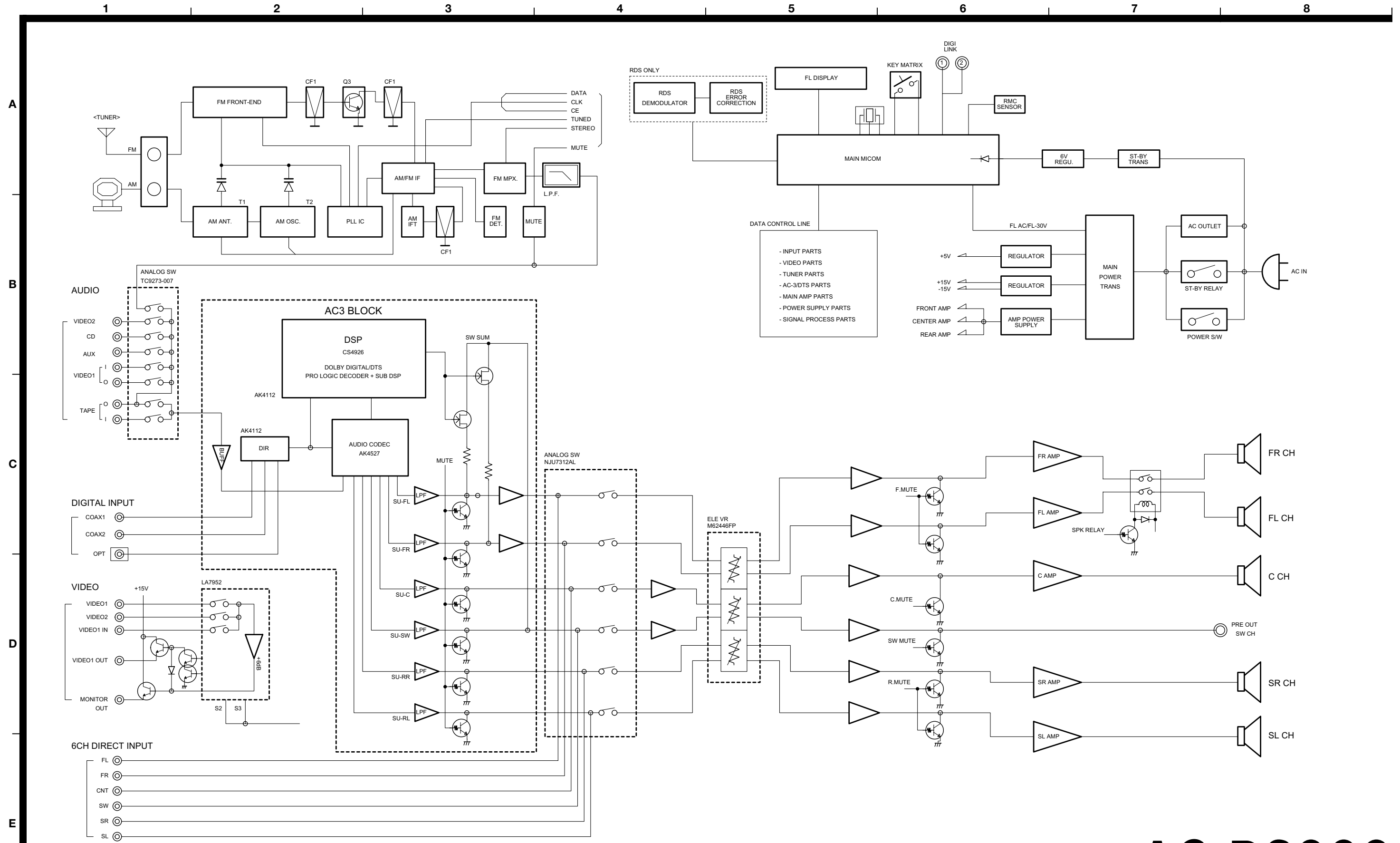


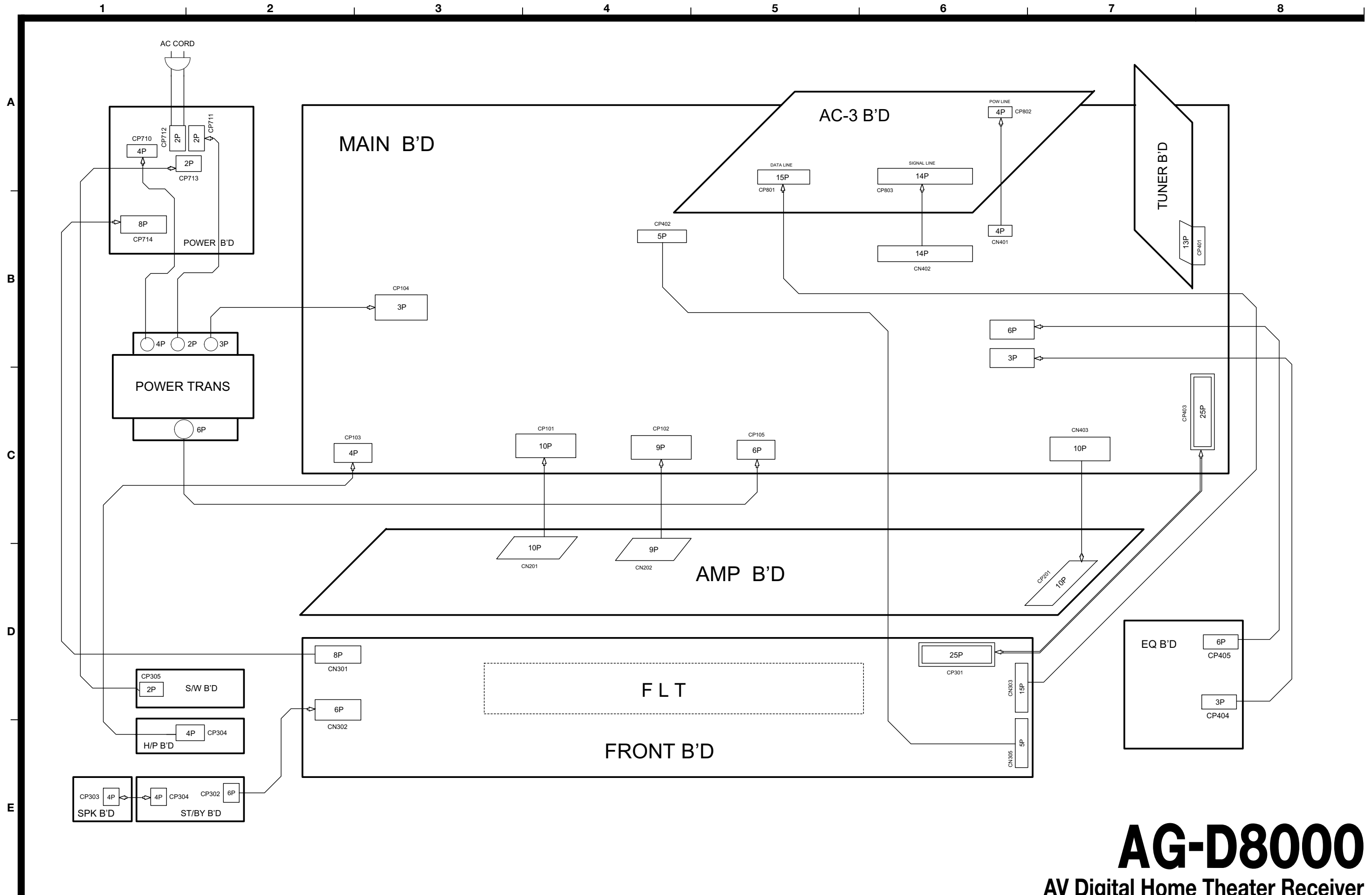
TEAC BLOCK DIAGRAM AG-D8000



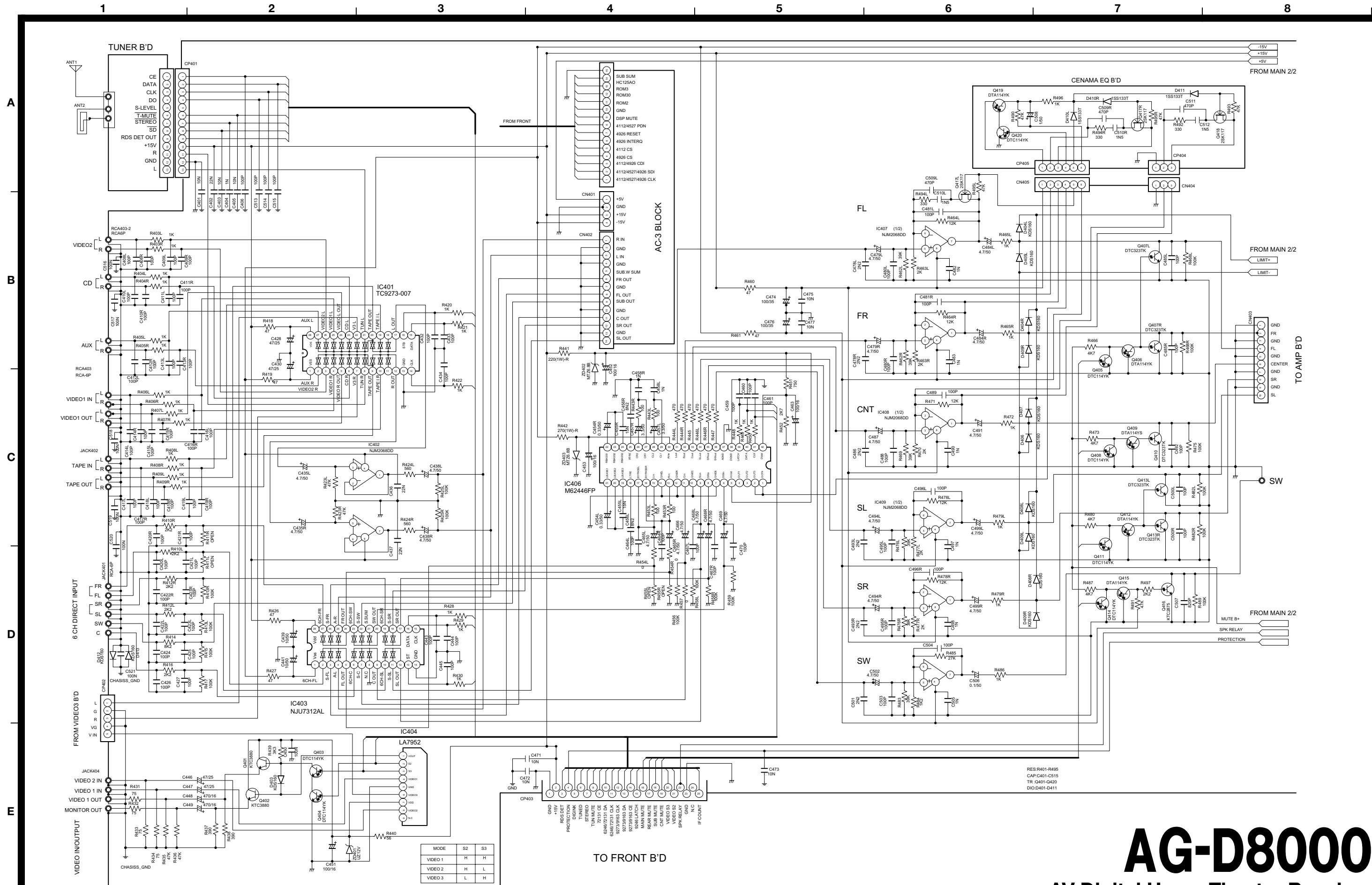
AG-D8000

AV Digital Home Theater Receiver

TEAC WIRING DIAGRAM AG-D8000



TEAC SCHEMATIC DIAGRAM AG-D8000 MAIN PCB (1/2), CENAMA EQ PCB



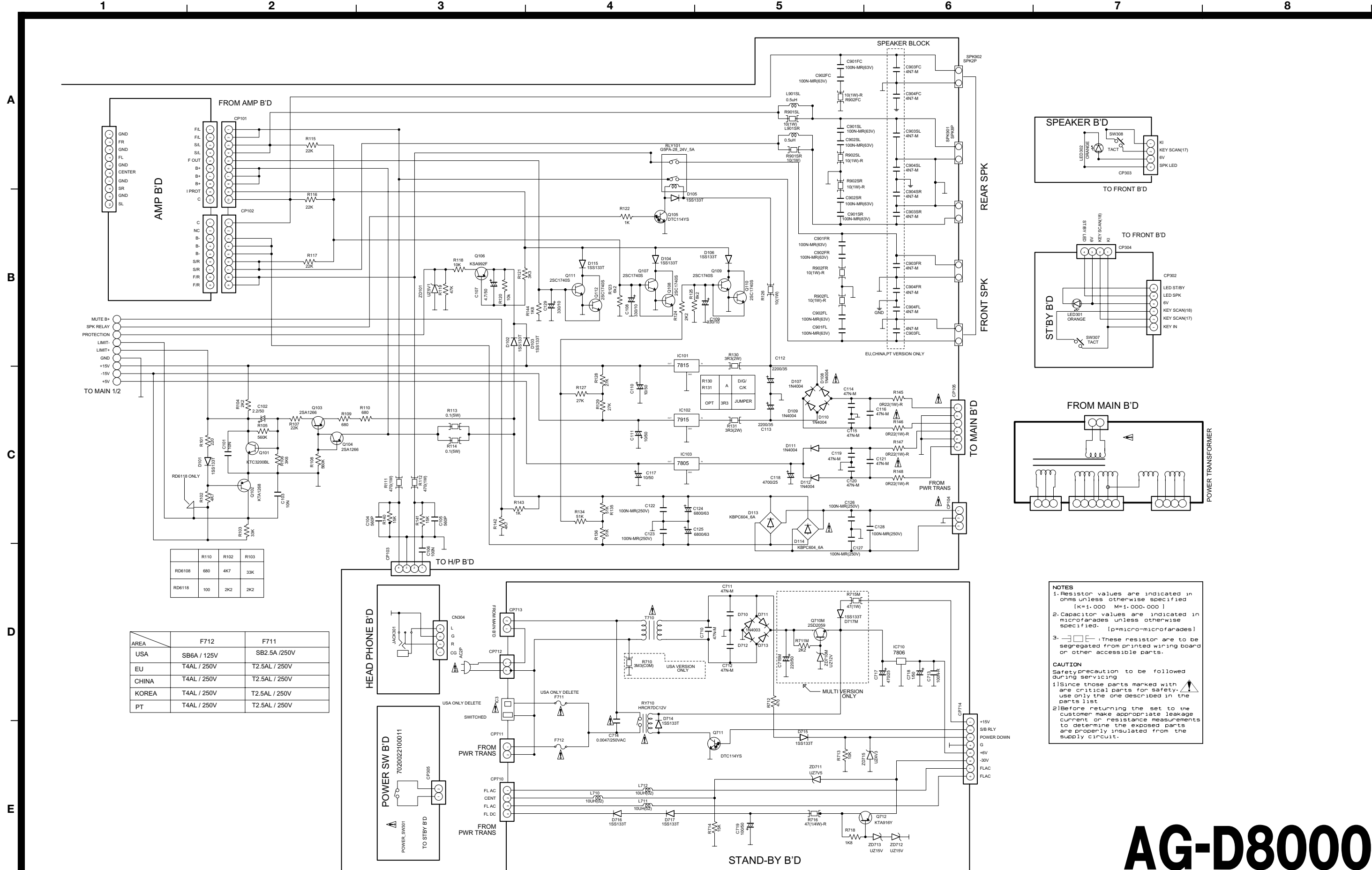
MODE	S2	S3
VIDEO 1	H	H
VIDEO 2	H	L
VIDEO 3	L	H

AG-D8000

AV Digital Home Theater Receiver

1 st Issue; June 2004

TEAC SCHEMATIC DIAGRAM AG-D8000 MAIN PCB (2/2), HEAD PHONE PCB, POWER SW PCB, STAND-BY PCB, SPEAKER PCB, ST'BY PCB



1 2 3 4 5 6 7 8

A
B
C
D
E

R110	R102	R103
RD6108	680	4K7
RD6118	100	2K2

AREA	F712	F711
USA	SB6A / 125V	SB2.5A / 250V
EU	T4AL / 250V	T2.5AL / 250V
CHINA	T4AL / 250V	T2.5AL / 250V
KOREA	T4AL / 250V	T2.5AL / 250V
PT	T4AL / 250V	T2.5AL / 250V

NOTES

1. Resistor values are indicated in ohms unless otherwise specified. [k=1,000 M=1,000,000]
2. Capacitor values are indicated in microfarads unless otherwise specified. [p=micro-microfarads]
3. These resistors are to be segregated from printed wiring board or other accessible parts.

CAUTION
Safety precaution to be followed during servicing:
1) Since those parts marked with are critical parts for safety, use only the one described in the parts list.
2) Before returning the set to the customer make appropriate leakage current or resistance measurements to determine the exposed parts are properly insulated from the supply circuit.

AG-D8000

AV Digital Home Theater Receiver

1st Issue; June 2004

TEAC SCHEMATIC DIAGRAM AG-D8000 AC-3 PCB

1

2

3

4

5

6

7

8

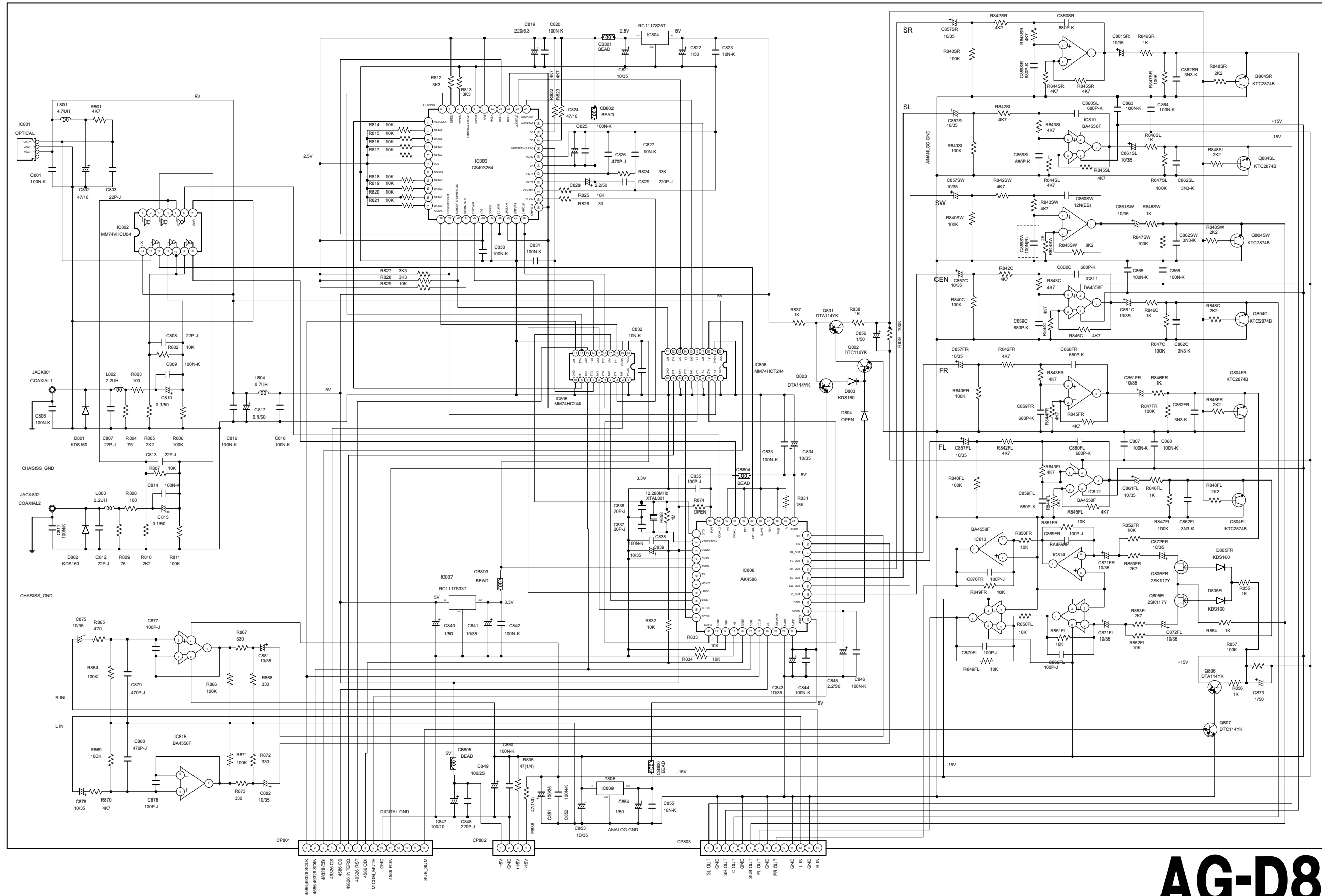
A

B

C

D

E



AG-D8000

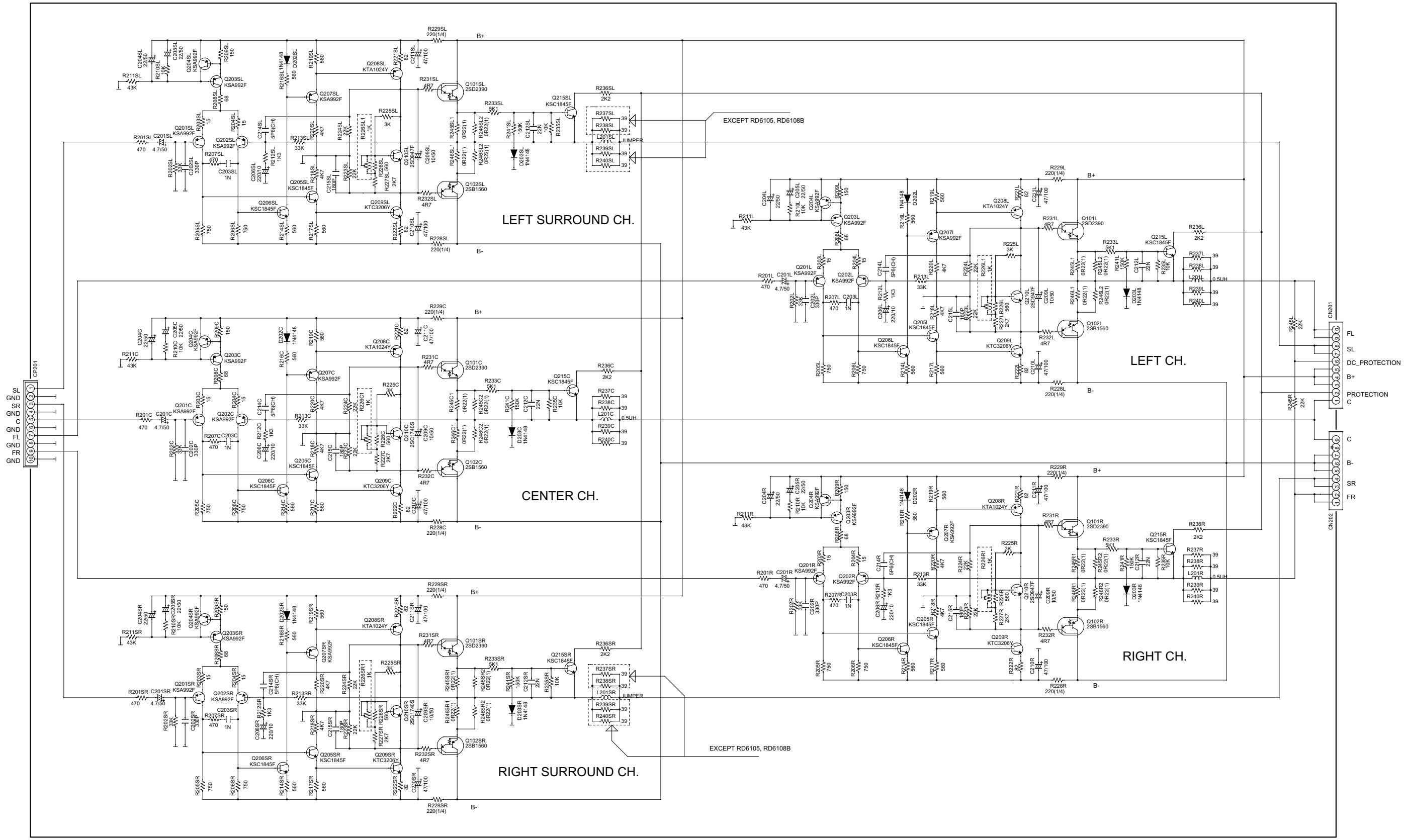
AV Digital Home Theater Receiver

1st Issue; June 2004

TEAC SCHEMATIC DIAGRAM AG-D8000 AMP PCB

1 2 3 4 5 6 7 8

A
B
C
D
E



AG-D8000

AV Digital Home Theater Receiver

1 st Issue; June 2004

TEAC SCHEMATIC DIAGRAM AG-D8000 FRONT PCB

1 2 3 4 5 6 7 8

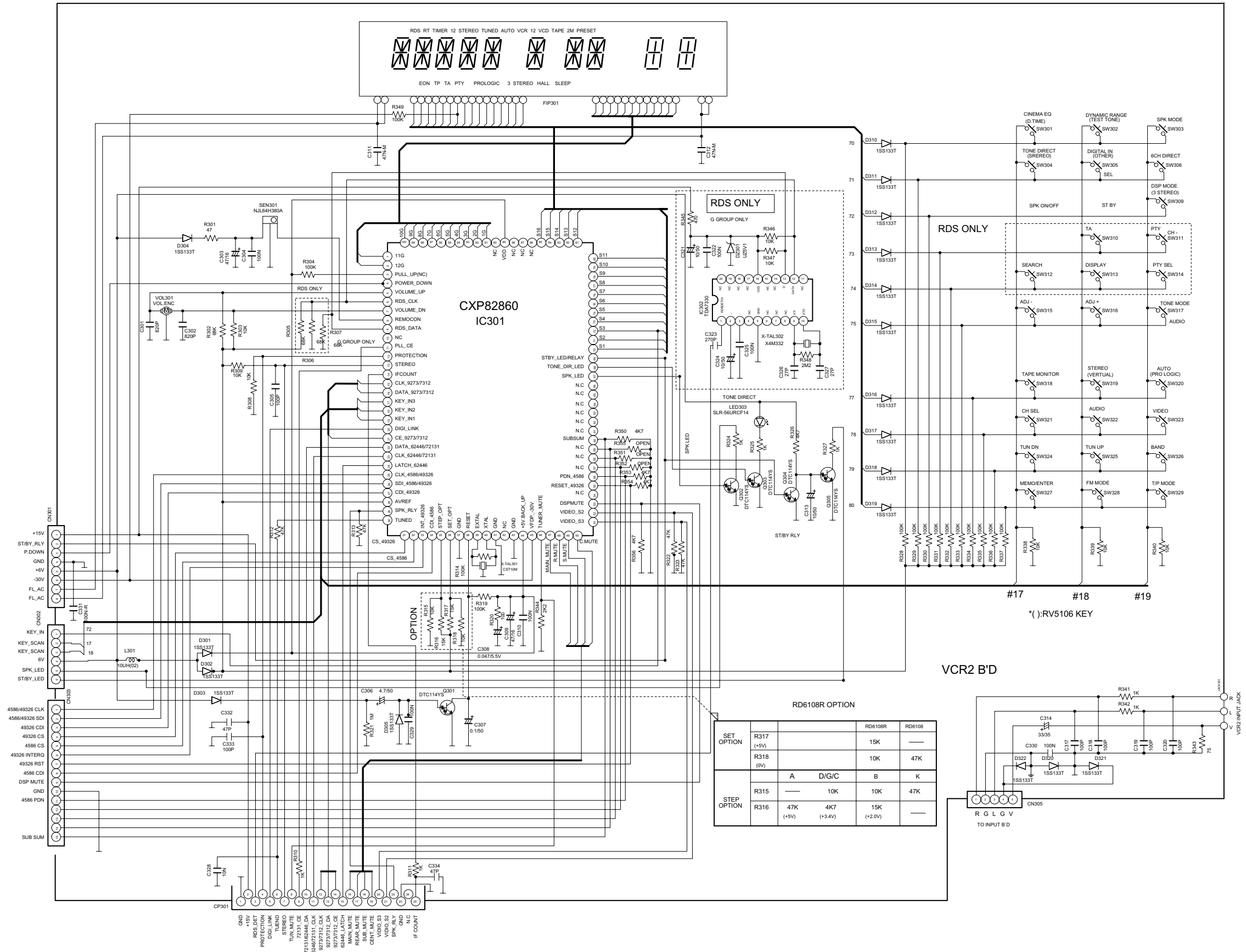
A

B

C

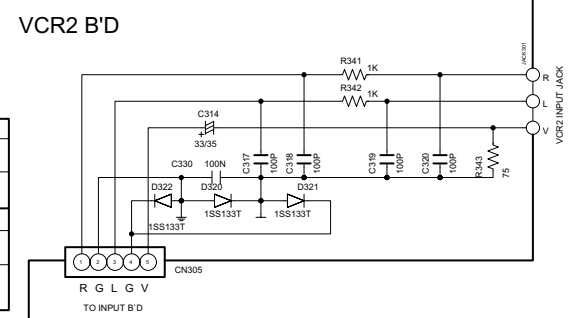
D

E



RD6108R OPTION

SET OPTION	R317 (+5V)	R318 (0V)	R315 (+5V)	R316 (+5V)	RD6108R	RD6108
	15K	10K	10K	47K	15K	47K
	A	D/G/C	B	K		
STEP OPTION	47K	4K7	15K	—	10K	47K
	(+5V)	(+3.4V)	(+2.0V)	—		



AG-D8000

AV Digital Home Theater Receiver

1 st Issue; June 2004